

SIDE LOADER SPEEDLINE PPK



POWERFUL WASTE DISPOSAL FOR SINGLE-PERSON OPERATION.

The highest efficiency for any operation: The Terberg HS Speedline side loader impresses both local authorities and private waste management companies, due to its powerful performance and intelligent design.

MADE-TO-MEASURE COST-EFFECTIVE COLLECTIONS

The robust design, high payloads and customisable equipment are what make the THS side loader systems so successful. The automatic lifters for large waste containers between 60 and 2,300 l are perfectly suited to emptying the side loader containers in underground systems. Whether you're with a full crew or a single-operator, the THS Speedline will always prove its worth as a high quality, efficient solution for your waste collection operations.

Terberg HS GmbH is our specialist subsidiary for the manufacture of cutting-edge waste & recycling collection vehicles. They combine more than 100 years of experience with innovation, thanks to their passion and high levels of quality. As part of the Terberg Group, Terberg HS is part of our strong network. Everything from a single source: We support you with individual, integrated and economi-



cal solutions - from planning, analysis and design to implementation, delivery and service. Spare parts supply and service: Original spare parts are usually available within 24 hours subject to delivery wherever you are in the world.

TERBERG HS MODULAR SYSTEM

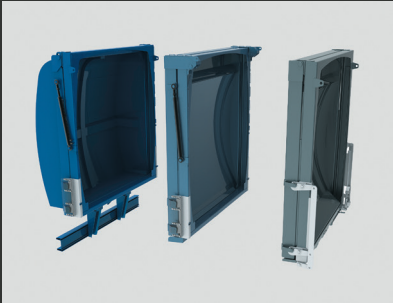
According to your requirements, we configure a vehicle that is individually tailored to your needs by combining different variants and taking the following factors into account:

- Chassis manufacturer and wheelbase
- Collection container volume including tailgate (depending on the fraction to be collected)
- Execution of the press
- Lifters and container holders
- desired additional options

The exclusive and modular design offered by the THS modular system is unique on the market and provides our customers with an efficient yet needs-based solution.



SMART EQUIPMENT - CUSTOMISED OPTIONS



CUSTOMISED DESIGNS

- Choose from various structural lengths and heights – for the optimal construction volume of your application



THS SPEEDLINE 2.3

- For 2.3 m³ side loader containers
- Higher productivity and larger collection volumes
- Multi-functional with diamond/comb pick-up



HSS CIRCULAR ARC BIN LIFT

- High performance with twin pick-up
- Patented close proximity lifting
- Lifting capacity up to 1,000 kg



EVOLIFT VERTICAL

- Two-stage synchronous bin lift
- Optional diamond or comb pick-up, or combined
- Lifting capacity of 500 kg



EVOLIFT GRABBER

- With 2 hydraulic rotary drives
- Available as a mono or double grabber
- Lifting force of 240 kg



DUAL TELESCOPING

- Movement range of 2,400 mm
- Lifting capacity of 500 kg
- Accommodates 4-wheeled large waste containers at max. reach



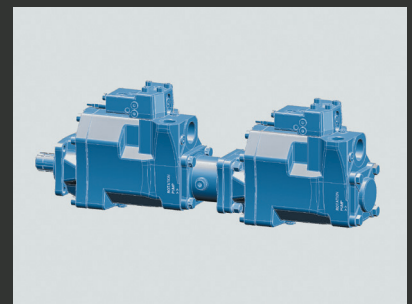
CONTAINER-FRIENDLY OPTIONS

- Speed control on the MD4 display
- Additional folding container support
- Dual comb with load detection



OPTIMISED DISCHARGE

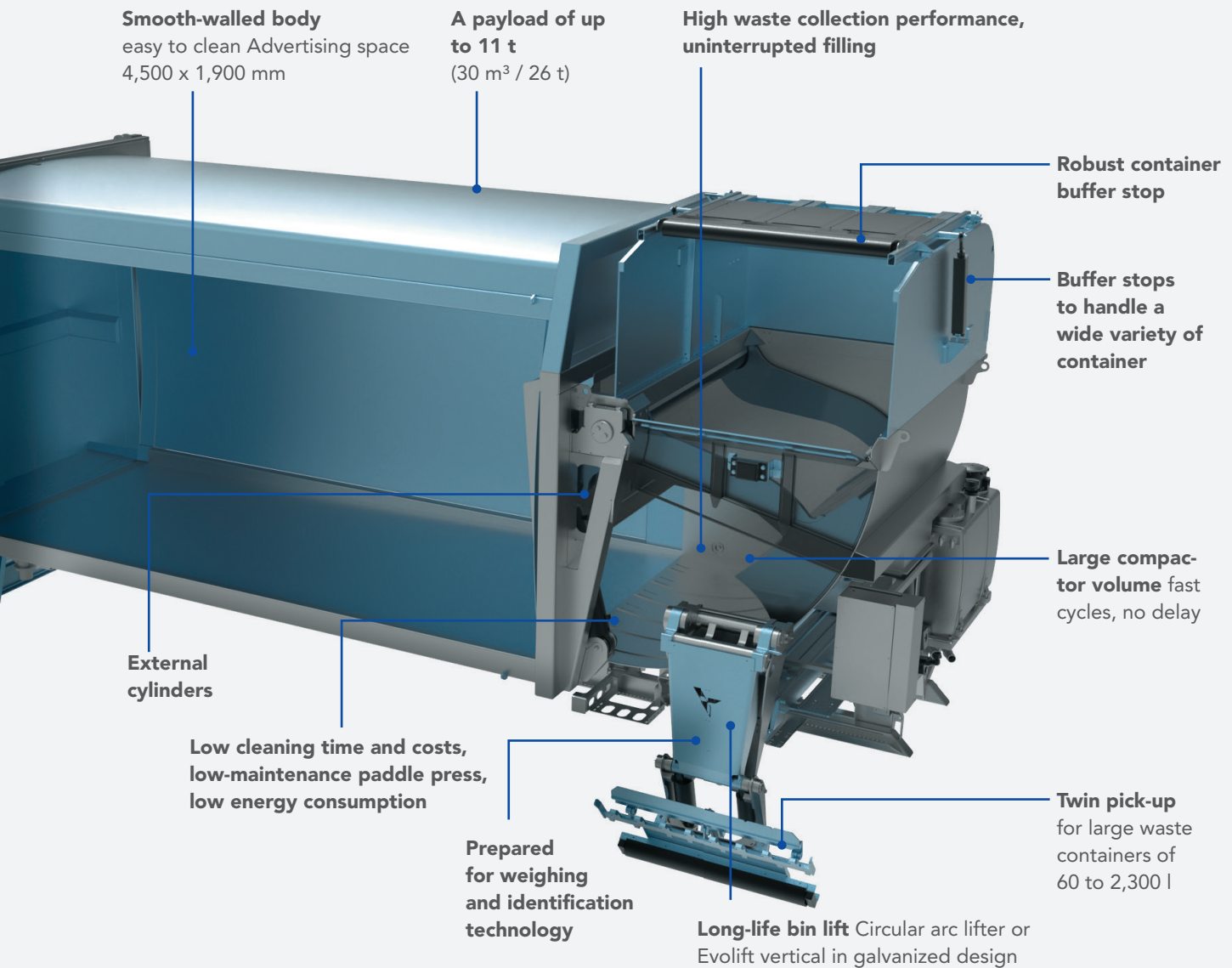
- Rear tipping body with sloped container floor
- Superbly large tipping angle
- Smooth interior structure to ensure minimal sticking of materials
- Large rear opening



2 VARIABLE DISPLACEMENT PUMPS WITH LOAD SENSING

- Simultaneous operation of the compaction and bin lift functions
- Reduction of energy consumption
- High waste collection performance
- Enable fast operation of the bin lift

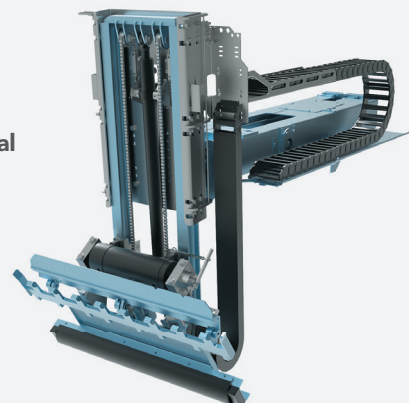
TECHNICAL CHARACTERISTICS OF THE SPEEDLINE PPK



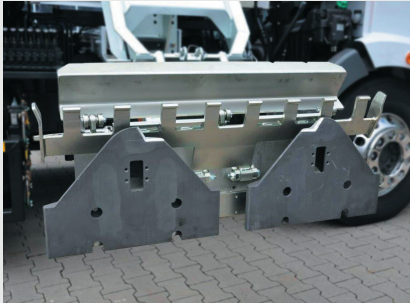
With our range of side loaders, you not only get state of the art waste collection vehicles, we offer system solutions from a single source with a wealth of after-sales experience.

Our side loaders are tailored exactly to your requirements – with equipment that is optimised for your application with the very best of available technology.

Evolift vertical with dual telescoping



6 GOOD REASONS FOR THE THS SPEEDLINE PPK



1. FLEXIBILITY

- Modular lifting systems with an array of container pick-up options provide fully customized handling of waste containers of 60 to 2,300 l



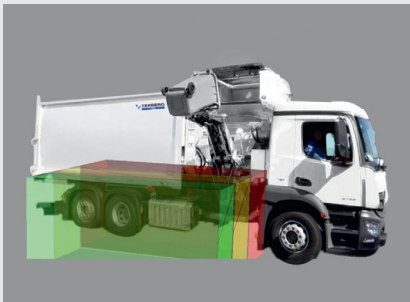
2. EFFICIENCY

- Single-person operation
- High payloads
- Optimised discharge operation
- Compactor volumes up to 3,7 m³
- Low whole life cost



3. WORK SPEED

- Fast lifting cycles
- High collection volumes
- Short discharge cycles
- Manoeuvrable thanks to wheelbases from 3,900 mm



4. SAFETY

- Optional equipment available to monitor side and rear working areas
- Intelligent machine interface with well thought out programming logic
- Camera systems for to 360° viewing
- Additional remote control enables work to be performed outside of the working area



5. COMFORT

- Convenient MD 4 control with touch screen (7 or 10 inch)
- Available in left and right-handdrive
- Sensitive joystick
- Ergonomically shaped armrests
- Quiet use through reduced working speed
- Automated container emptying



6. AVAILABILITY

- Requires minimal maintenance
- Remote maintenance via Bluetooth
- Fair service contracts minimise downtime
- Original spare parts available within 24 hours
- Terberg Connect - software for your fleet management