

SIDE LOADER SPEEDLINE CWS



SEPARATING COLLECTION AND TRANSPORT.

The highest efficiency for any operation: The Terberg HS Speedline side loader impresses both local authorities and private waste management companies, due to its powerful performance and intelligent design.

MADE-TO-MEASURE COST-EFFECTIVE COLLECTIONS

Unique: Separation of collection and transport. A consistent waste disposal system with uniform interchangeable containers and automatic loading of large waste containers from 60 - 1,100 l. Whether you operate single person collection operations or a full crew – the Speedline CWS will always prove its worth as a high quality, efficient solution for your waste collection operations

Terberg HS GmbH is our specialist subsidiary for the manufacture of cutting-edge waste & recycling collection vehicles. They combine more than 100 years of experience with innovation, thanks to their passion and high levels of quality. As part of the Terberg Group, Terberg HS is part of our strong network. Everything from a single source: We support you with individual, integrated and economical solutions - from planning, analysis and



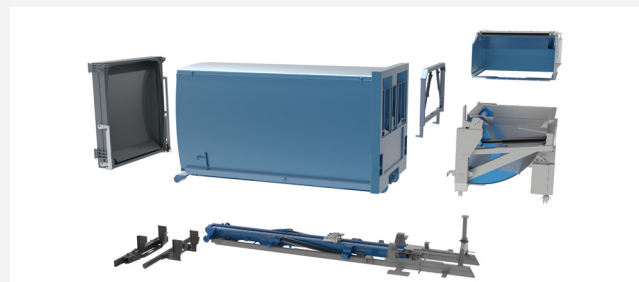
design to implementation, delivery and service. Spare parts supply and service: Original spare parts are usually available within 24 hours subject to delivery wherever you are in the world.

TERBERG HS MODULAR SYSTEM

According to your requirements, we configure a vehicle that is individually tailored to your needs by combining different variants and taking the following factors into account:

- Chassis manufacturer and wheelbase
- Collection container volume including tailgate (depending on the fraction to be collected)
- Execution of the press
- Lifters and container holders
- desired additional options

The exclusive and modular design offered by the THS modular system is unique on the market and provides our customers with an efficient yet needs-based solution.



SMART EQUIPMENT – CUSTOMISED OPTIONS



INTERCHANGEABLE CONTAINERS

- Compatible with DIN 30722
- Can be combined with compaction equipment
- Available in lengths of 4.50 - 6 m



HSS CIRCULAR ARC BIN LIFT

- High performance with twin pick-up
- Patented close proximity lifting
- Lifting capacity up to 1,000 kg



EVOLIFT VERTICAL

- Two-stage synchronous bin lift
- Optional diamond comb lifting, or combined diamond and regular EN 840
- Lifting capacity of 500 kg



EVOLIFT GRABBER

- With two hydraulic rotary drives
- Optional diamond or comb pick-up, or combined
- Lifting capacity of 240 kg



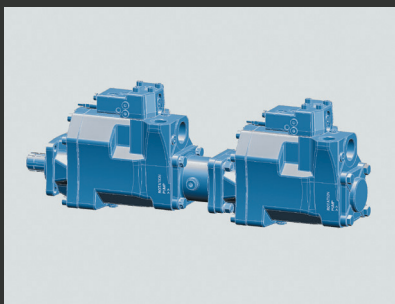
DUAL TELESCOPING

- Movement range of 2,400 mm
- Lifting capacity of 500 kg
- Accommodates 4-wheeled large waste containers at maximum reach



CONTAINER-FRIENDLY OPTIONS

- Speed control on the MD4 display
- Additional folding container support
- Dual comb with load detection



2 VARIABLE DISPLACEMENT PUMPS WITH LOAD SENSING

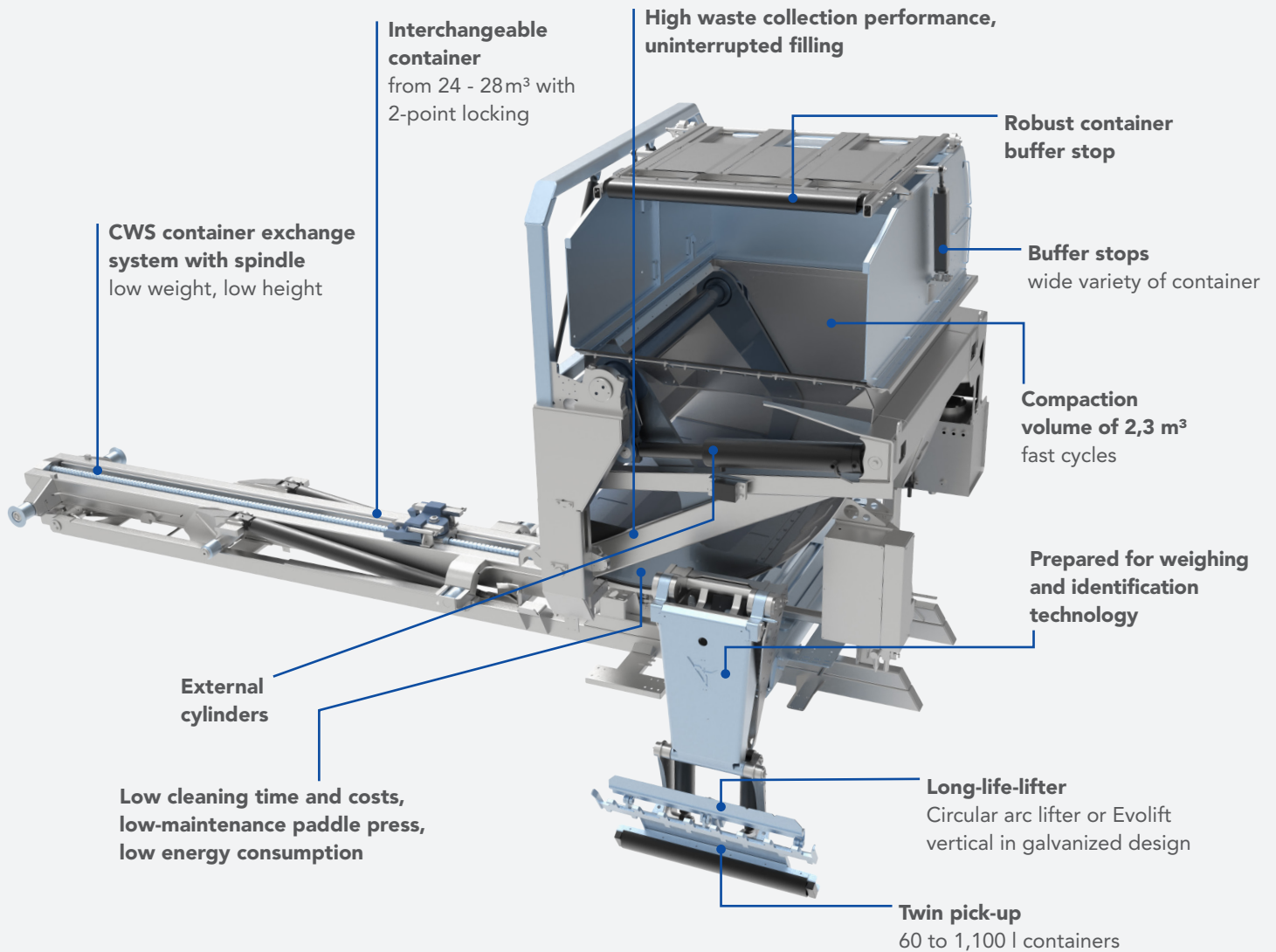
- Simultaneous operation of the compaction and bin lift functions
- Reduction of energy consumption
- High waste collection performance
- Enable fast operation of the bin lift



LOGISTICAL ADVANTAGE

- Separation of collection and transport
- Setting down the interchangeable container after collection
- Further transport by hooklift

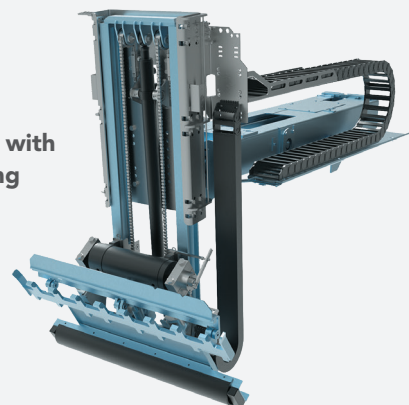
TECHNICAL CHARACTERISTICS OF THE SPEEDLINE CWS



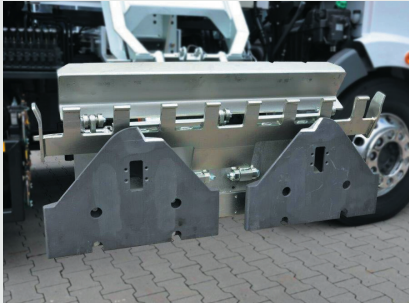
With our range of side loaders, you not only get state of the art waste collection vehicles, we offer system solutions from a single source with a wealth of after-sales experience.

Our side loaders are tailored exactly to your requirements – with equipment that is optimised for your application with the very best of available technology.

Evolift vertical with dual telescoping



6 GOOD REASONS FOR THE THS SPEEDLINE CWS



1. FLEXIBILITY

- Modular lifting systems with an array of container pick-up options provide fully customized handling of different waste containers



2. EFFICIENCY

- Single-person operation
- High payloads
- Compactor volumes up to 2.3m³
- Low whole life costs



3. WORK SPEED

- Fast lifting cycles
- High collection volumes
- Short discharge cycles
- Manoeuvrable thanks to wheel-bases from 3,900mm



4. SAFETY

- Optional equipment available to monitor side and rear working areas
- Intelligent machine interface with well thought out programming logic
- Camera systems for to 360° viewing
- Additional remote control enables work to be performed outside of the working area



5. COMFORT

- Convenient MD 4 control with touch screen (7 or 10 inch)
- Available in left and right-handdrive
- Sensitive joystick
- Ergonomically shaped armrests
- Quiet use through reduced working speed
- Automated container emptying



6. AVAILABILITY

- Requires minimal maintenance
- Remote maintenance via Bluetooth
- Fair service contracts minimise downtime
- Original spare parts available within 24 hours
- Terberg Connect - software for your fleet management